

ASSEMBLY INSTRUCTIONS & PARTS MANUAL

Deluxe Storage Cabinet with Recessed Handle Unassembled Models 1870RH & 2470RH



RETAIN INSTRUCTIONS FOR FUTURE REFERENCE



LOAD CAPACITIES PER SHELF LEVEL EVENLY DISTRIBUTED	
UNIT SIZE	WEIGHT CAPACITY
36w x 18d	200 lbs.
36w x 24d	200 lbs.

GENERAL SAFETY INFORMATION

Some parts may have sharp edges. CARE must be taken when handling various pieces to avoid injury. For safety, wear a pair of work gloves when assembling or performing any maintenance on products.

LIMITED WARRANTY

Tennsco warrants goods purchased hereunder to be free of defects in materials and workmanship for a period of one (1) year from the date of shipment, hereunder. This warranty shall not apply in the event goods are damaged as a result of misuse, abuse, neglect, accident, improper application, modification or repair by persons not authorized by Seller, where goods are damaged during shipment, or where the date stamps on the goods have been defaced, modified or removed. UNLESS CONSIDERED UNENFORCEABLE OR UNLAWFUL UNDER APPLICABLE LAW:

- a. ALL IMPLIED WARRANTIES, INCLUDING BUT NOT LIMITED TO WARRANTIES OR MERCHANTABILITY AND FITNESS FOR A PARTICULAR PURPOSE ARE HEREBY EXCLUDED:
- b. BUYERS REMEDY, IF ANY, FOR ANY DEFECTIVE GOODS SHALL BE LIMITED TO A REFUND BY SELLER OR REPLACEMENT OF THE GOODS AT SELLER'S OPTION, AND SHALL IN NO EVENT INCLUDE DAMAGES OF ANY KIND, WHETHER INCIDENTAL, CONSEQUENTIAL OR OTHERWISE.

NO GOODS ACCEPTED FOR RETURN WITHOUT PRIOR APPROVAL. Seller shall have the right to inspect any goods claimed to be defective at Buyers place of business or require Buyer to return the goods to Seller for inspection on Seller's premises. Transportation charges covering returned goods will be borne by Seller only if such goods are proven to be defective, are covered by this warranty and are returned within the warranty period stated above.



PROUDLY MADE IN THE U.S.A.

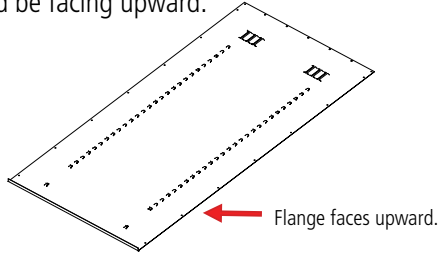
Tennsco LLC., Dickson, TN 37056-1888 • (866) 446-8686

ASSEMBLY OF 1870RH OR 2470RH CABINET

Tools Needed: A free 11/32" nut driver is included with each Tennsco cabinet.

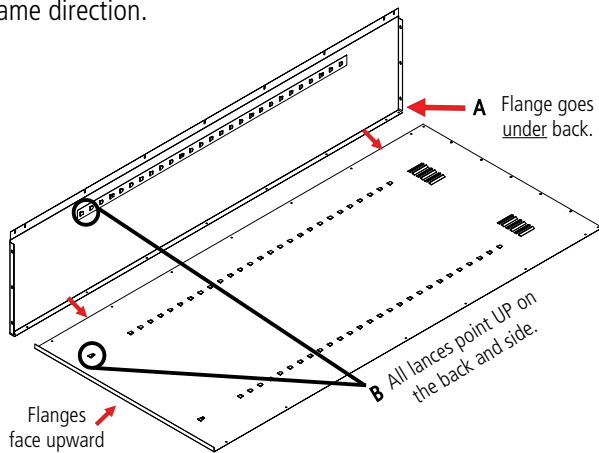
Two people are recommended for assembly. Approximate assembly time: 20-30 minutes.

1. The reference numbers used throughout this sheet refer to the illustration on the back cover. This is to help you to identify the various parts as they are mentioned.
2. Place the cabinet back (Ref. No. 1) on a protected surface to prevent scratching the paint. The flange on the bottom of the back should be facing upward.

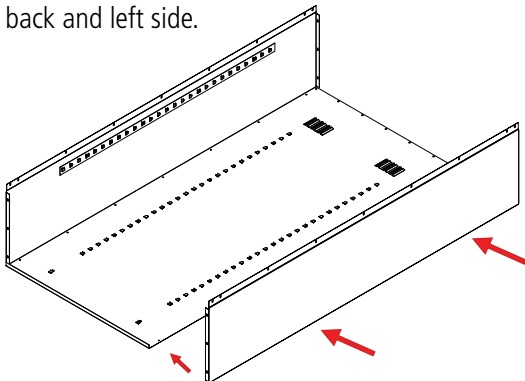


NOTE: When bolting the unit together, leave the bolts slightly loose until Step 10, unless otherwise specified.

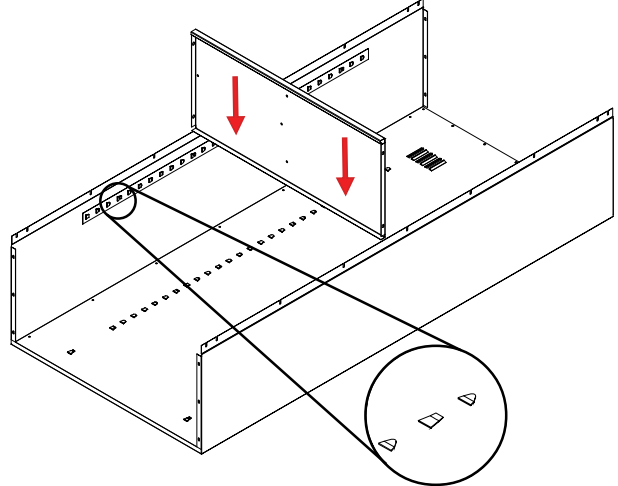
3. Attach the left side (Ref. No. 2) to the back by placing flange (A) around the back and bolting it together with seven bolts and nuts (Ref. Nos. 14 & 15). Be sure that the lances on all shelf adjustment strips (B) point in the same direction.



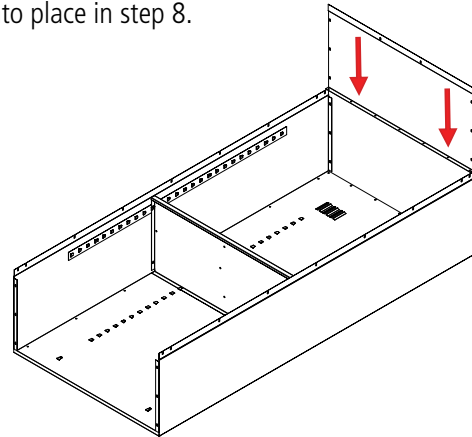
4. Attach the right side (Ref. No. 3) to the back in the same manner as in step 3, again making sure that the flange is around the back and that the lances on the shelf adjustment strips are pointed in the same direction as those on the back and left side.



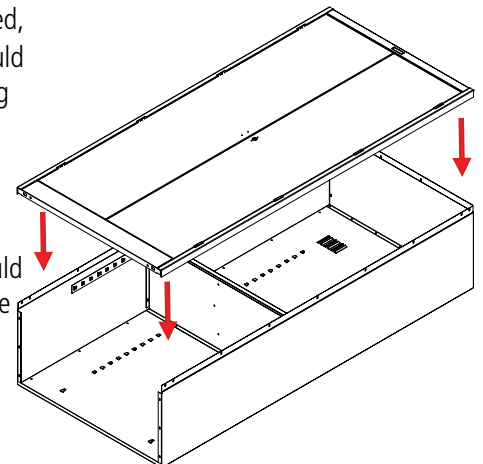
5. Insert one shelf (Ref. No. 4) into the approximate center of the unit, inserting the shelf edges into the lances on all four shelf adjustment strips. Be sure that the channeled edge of the shelf is toward the cabinet front.



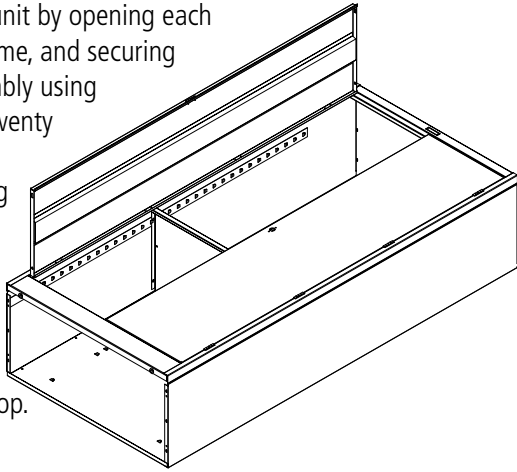
6. Place the top (Ref. No. 5) onto the unit. Be sure that the flanges tuck inside the cabinet sides and back. Secure with eleven nuts and bolts. The front part of the top will bolt into place in step 8.



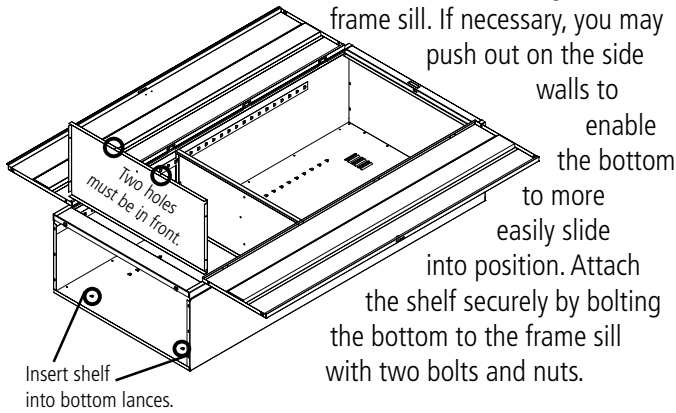
7. With both doors in the closed position, lift the door and frame assembly (Ref. No. 6) and place it over the cabinet body. Be aware that the door latches have not yet been attached, so the doors could potentially swing open if the door frame is held in an upsidetown position. The door frame should cover the outside edges of the entire storage cabinet front.



- 8.** With the door and frame assembly in place, attach it securely to the unit by opening each door, one at a time, and securing the frame assembly using two bolts and twenty nuts. This will require attaching nuts to the nine pre-welded studs along each side, plus two bolts and nuts along the top.



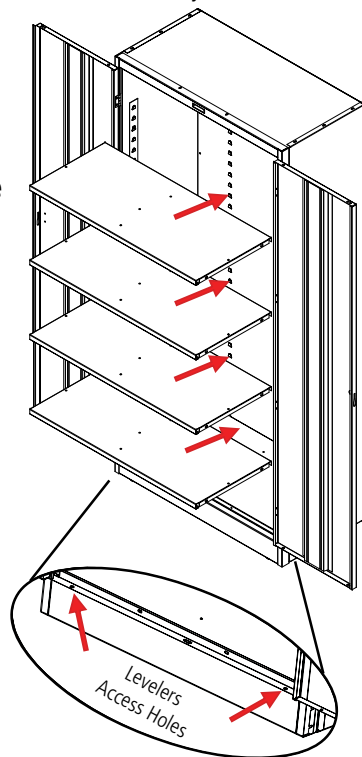
- 9.** Place the the bottom (Ref. No. 7) in the lowest notch of the shelf adjusting strips on the back. Make sure the flange with two holes faces the front, and that it is over the flange of the frame sill. If necessary, you may push out on the side walls to enable the bottom to more easily slide into position. Attach the shelf securely by bolting the bottom to the frame sill with two bolts and nuts.



- 10.** Using two people, set the unit upright and tighten all nuts around the entire unit. Insert the remaining shelves at your desired levels. The shelf you inserted earlier may also be moved to a different level if desired.

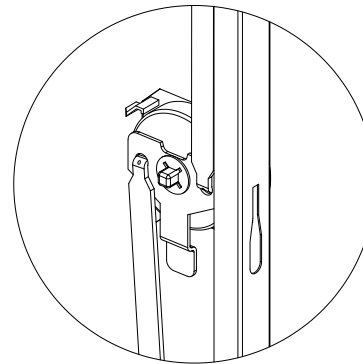
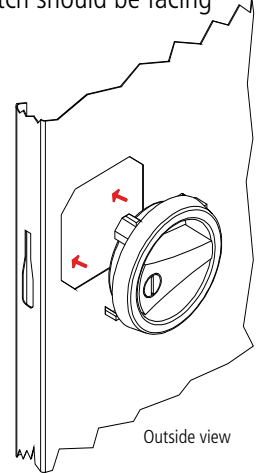
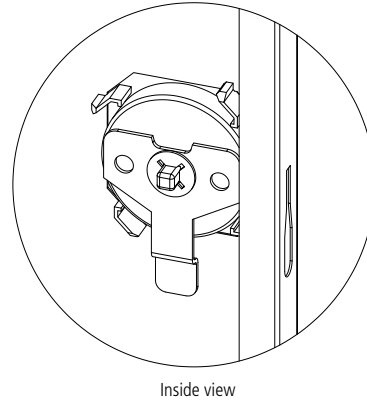
NOTE: In order to place the shelves, you must first tilt the shelf slightly to the left or right before inserting it into the unit.

- 11.** The cabinet must be level in order for the doors to close properly. Levelers may be adjusted by placing the nut driver through the hole in each end of the sill and adjusting the leveling screw.



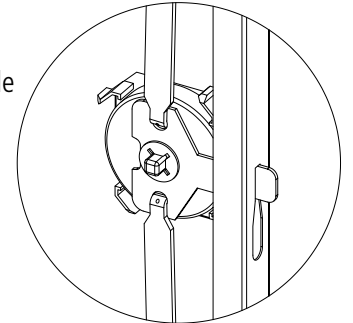
Handle/Locking System Installation

- 1.** Place the locking handle (Ref. No. 9) on the right hand door and push it until it snaps into place. Then turn the handle to the open position. The latch should be facing downward as shown.

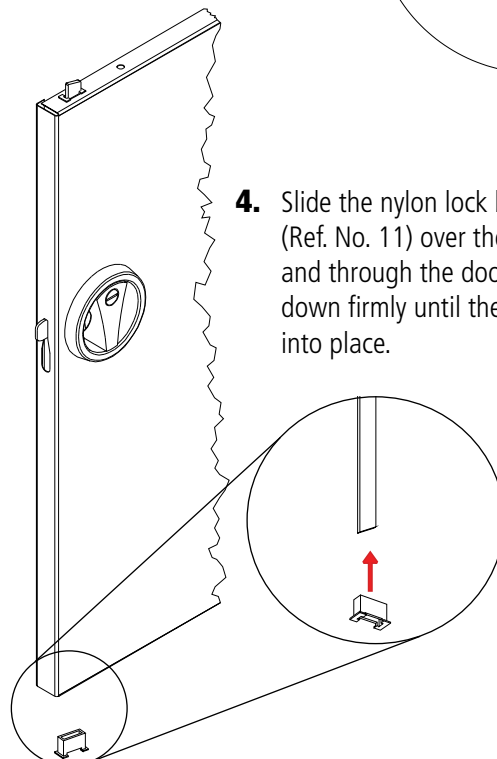


- 2.** With the handle still in the open position, hook the locking bars (Ref. No. 8) to the locking cam (Ref. No. 12).

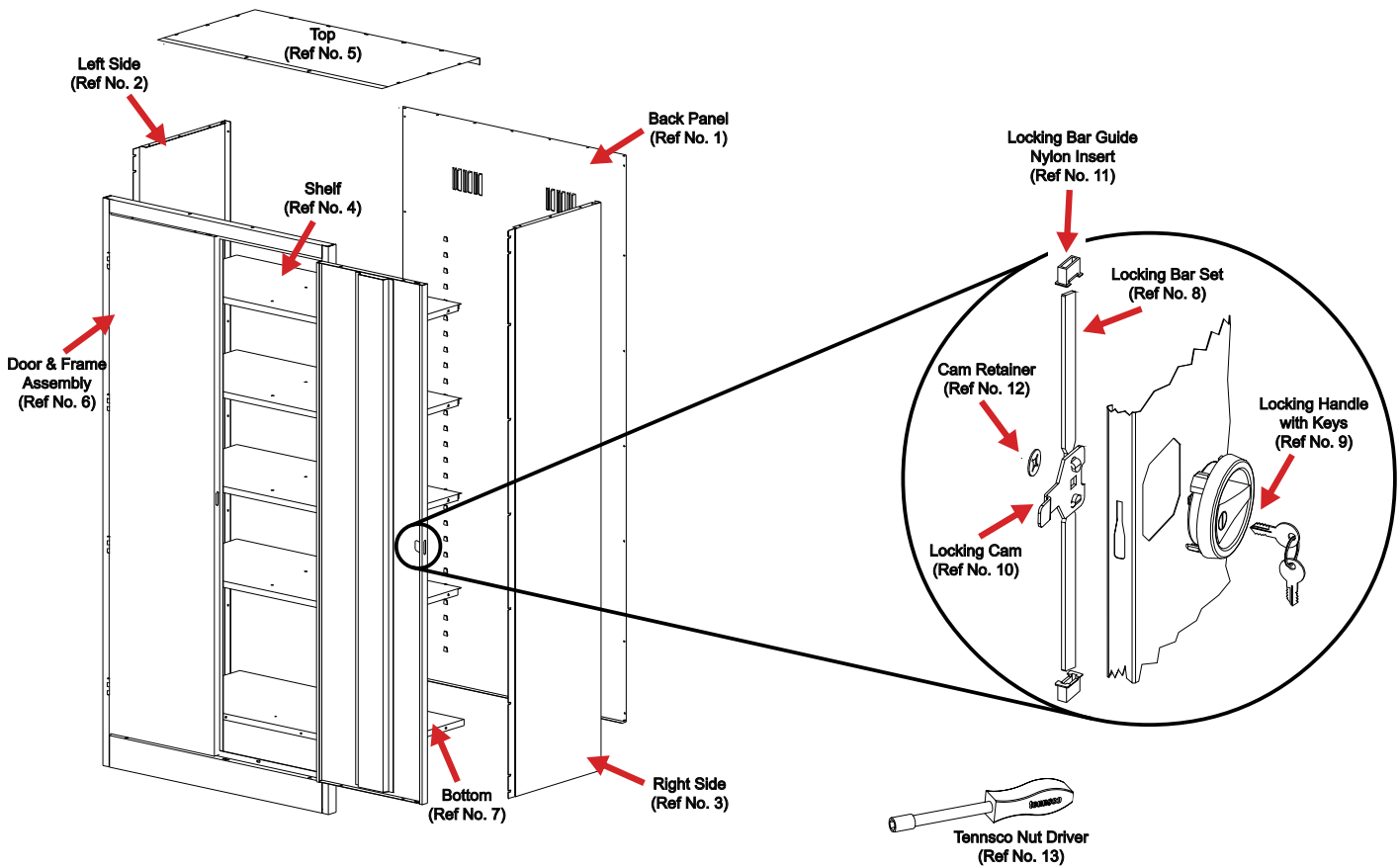
- 3.** Slowly rotate the door handle to the closed position so the lock bars protrude from the holes at the top and bottom of the door (shown below).



- 4.** Slide the nylon lock bar guide inserts (Ref. No. 11) over the lock bar ends and through the door slots. Push down firmly until the guides snap into place.



REPLACEMENT PARTS



REF. NO.	DESCRIPTION	1870RH (18" d Cabinet)		2470RH (24" d Cabinet)	
		QTY.	PART NO.	QTY.	PART NO.
1	Back Panel	1	043BA	1	043BA
2	Left Side	1	043LS	1	044LS
3	Right Side	1	043RS	1	044RS
4	Shelf	4	301	4	302
5	Top	1	043TO	1	044TO
6	Door & Frame Assembly	1	043DRH	1	043DRH
7	Bottom	1	043BO	1	044BO
8	Locking Bar Set	1	043LB	1	043LB
9	Recessed Locking Handle w/keys	1	RH-1	1	RH-1
10	Locking Cam*	1	944LC	1	944LC
11	Locking Bar Guide Insert (Nylon)	2	944GI	2	944GI
12	Cam Retainer*	1	944CR	1	944CR
13	Tensco Nut Driver	1	TOOL-2	1	TOOL-2
14	#8-32 x 3/8" bolts (not shown above)	31	**	31	**
15	#8-32 nuts (not shown above)	47	**	47	**

*Included in Ref. No. 9, locking handle with keys (Part No. RH-1).

**Available Locally

NOTE: Additional hardware may be included for replacement purposes.

Tensco makes every effort to ensure that all units ship complete with all parts and arrive undamaged. However, should your unit contain missing or damaged parts, please contact your purchase location.